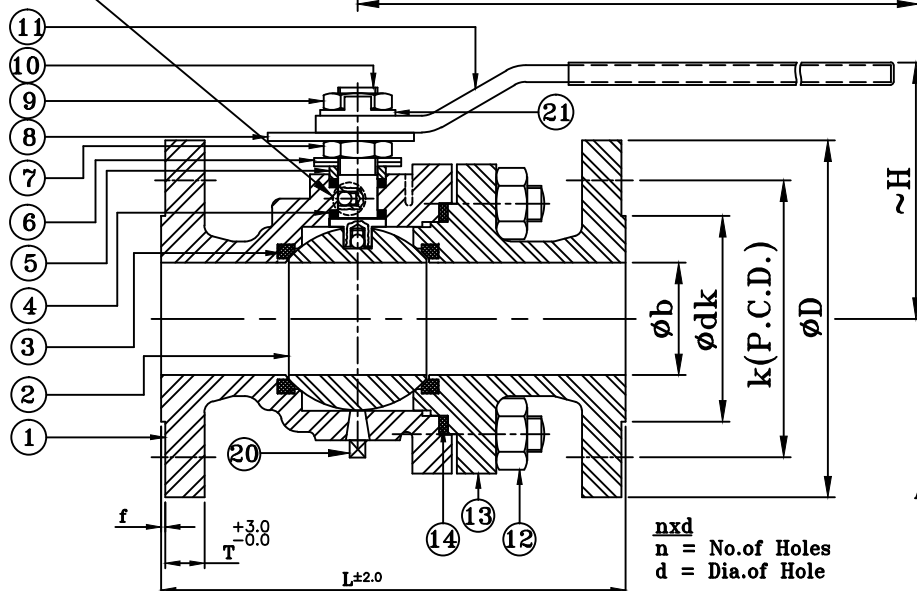
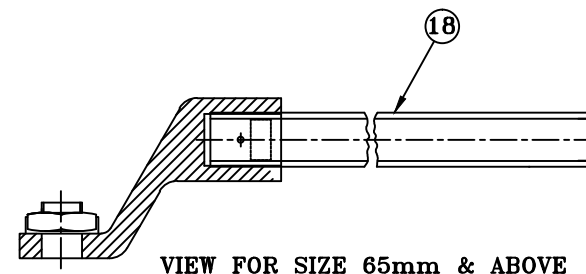


VIEW-A




ANTISTATIC DESIGN (VIEW-A)



VIEW FOR SIZE 65mm & ABOVE

VALVE SIZE	DIMENSIONAL DATA											APX. VALVE WT. (Kgs)
	MAIN DIMENSIONS				FLANGE DETAILS AS PER ASME B16.5							
					FLANGES		RAISED FACE		BOLT HOLES			
DN/NPS	L	H	J	øb	øD	T	ødk	f	K	n	d	
15/ 1/2"	108	96	125	13	90	8	34.9	2	60.3	4	15.9	3.4
20/ 3/4"	117	74	175	19.1	100	8.9	42.9	2	69.9	4	15.9	4.5
25/ 1"	127	67	175	25	110	9.6	50.8	2	79.4	4	15.9	5.4
32/ 1 1/4"	140	83	225	32	115	11.2	63.5	2	88.9	4	15.9	8.4
40/ 1 1/2"	165	92	225	40	125	12.7	73	2	98.4	4	15.9	9.0
50/ 2"	178	108	225	50	150	14.3	92.1	2	120.7	4	19.1	12.0
65/ 2 1/2"	190	175	400	64	180	15.9	104.8	2	139.7	4	19.1	18.0
80/ 3"	203	166	400	75	190	17.5	127	2	152.4	4	19.1	23.5
100/4"	229	230	460	100	230	22.3	157.2	2	190.5	8	19.1	50.0
150/6"	394	275	775	150	280	23.9	215.9	2	241.3	8	22.3	102.0
200/8"	457	-	-	203	345	27	269.9	2	298.5	8	22.3	-

PART No.	REVISION MADE	REV. No.	DATE	AUTHORISED SIGNATORY	REMARKS
	COMMENTS IN CORPORATED	01	12.03.11	G.D.SAHNI	SUNIL
	DIMENSIONS FOR 4" VALVE SIZE REVISED	02	07.04.14	G.D.SAHNI	GAGANDEEP SINGH
	CHANGED MATERIAL PART No. 3,4 FROM PTFE,GRAPHOIL To RPTFE.	03	30.04.16	G.D.SAHNI	AJIT SINGH
	DIMENSIONS 'H' & 'øb' FOR 15mm TO 200mm REVISED AND LEVER VIEW FOR SIZE 65mm & ABOVE ADDED.	04	28.04.18	G.D.SAHNI	AJIT SINGH
	LOCKING WASHER PART No. 21 ADDED.	05	07.12.20	G.D.SAHNI	KARAN



LEADER VALVES LTD.
JALANDHAR-144004(INDIA)

All Dimensions in mm
Unless otherwise specified

<p>TITLE:- C.C.S BALL VALVES CL-150 FULL BORE, LEVER OPERATED, FLANGED ENDS RF & DRILLED, FIRE SAFE DESIGN PRODUCT STANDARD:- BSEN 17292</p>	<table border="1" style="width: 100%;"> <tr> <td>DRN.</td> <td>SUNIL</td> <td>09.08.11</td> </tr> <tr> <td>CHKD.</td> <td>JOG RAJ</td> <td>10.08.11</td> </tr> <tr> <td>APPRD.</td> <td>G.D.SAHNI</td> <td>10.08.11</td> </tr> </table>	DRN.	SUNIL	09.08.11	CHKD.	JOG RAJ	10.08.11	APPRD.	G.D.SAHNI	10.08.11
DRN.	SUNIL	09.08.11								
CHKD.	JOG RAJ	10.08.11								
APPRD.	G.D.SAHNI	10.08.11								
<p>SCALE NTS</p> <p>TEST PRESSURE:- BODY :- 30 BAR (Hyd) SEAT :- 6.9 BAR (Air)</p> <p>TESTING STANDARD :- API 598 MAX. P-T RATING 7 Bar @ 200°C. (FOR STEAM) (TESTING AS PER BSEN 12266 P-1 ON REQUEST)</p>	<p>DRG.No. 061 FDR-1000D/G</p> <p>Issue Status 05</p> <p>SHEET 1 OF 2</p>									

CSS-030/CSS-027/CSS 016